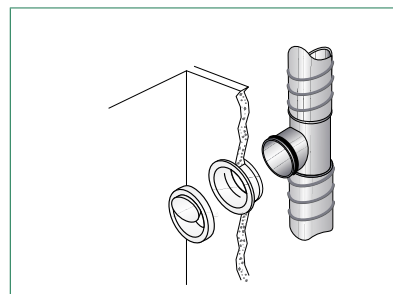
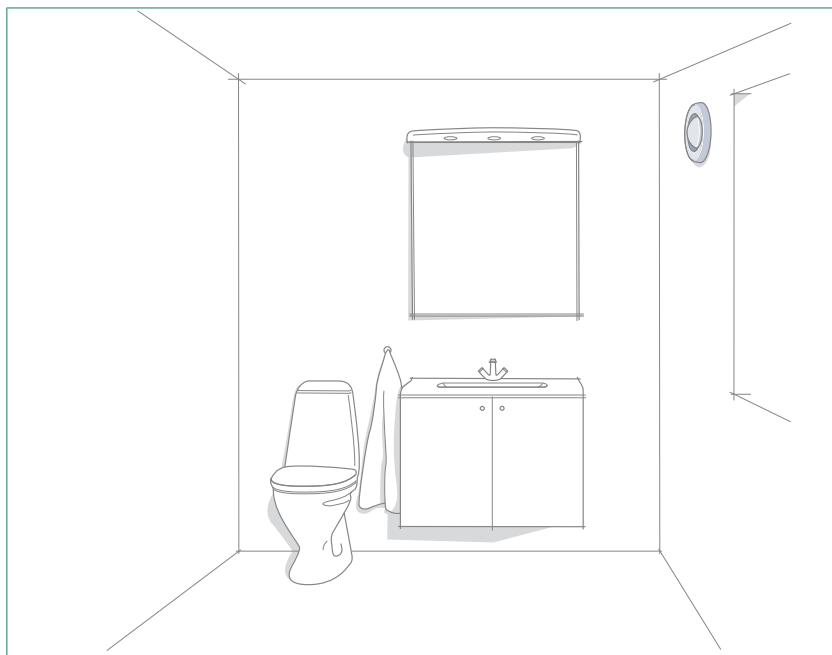


## KGFC Exhaust valve



The exhaust valve KGFC is suitable for use in all types of ventilation systems. The valve can be mounted with or without mounting ring. It is ideal for renovation use, because it fits in most round frames and connections. The valve can be ceiling or wall mounted, and the air flow rate is adjustable.

### Quick Selection

fully open slot

Valve	Connection alternative	Air flow range l/s at sound level		
		25 dB	30 dB	35 dB
KGFC-100	Mounting ring	30	36	42
	Angle duct	24	30	38
	T-piece	17	20	25

### Specifications

- Can be mounted with or without mounting ring
- Adjustable air flow rate
- Can be ceiling or wall mounted

### Product code example

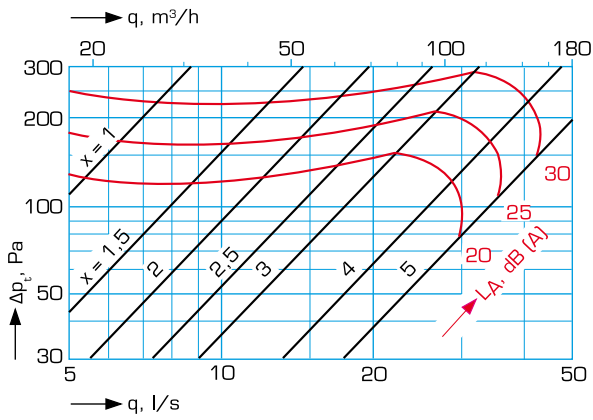
Exhaust valve KGFC-100

Mounting ring - fit-in KGEZ-01-100

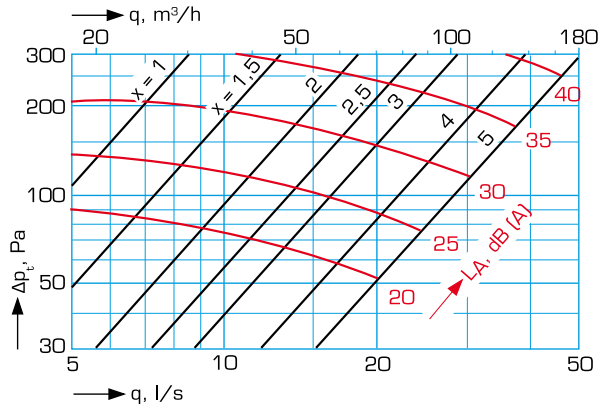
Angle duct KGEZ-43-100-080

### Air flow, pressure drop, sound level

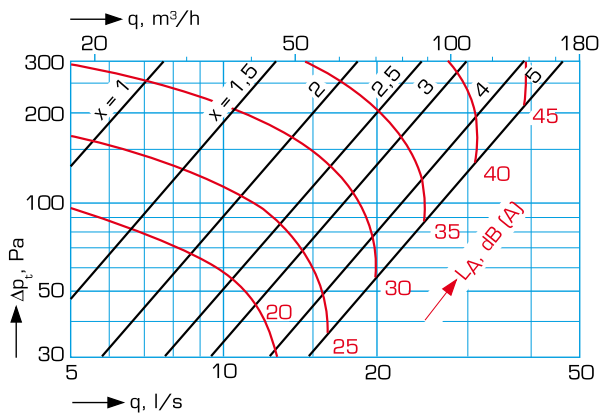
Exhaust valve with mounting ring



Exhaust valve with angle duct



Exhaust valve with T-piece



### Acoustical data

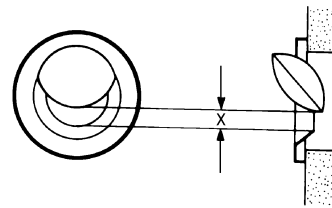
Sound power level

KGFC	Correction of sound level in dB at octave bands, middle frequency, Hz							
	63	125	250	500	1000	2000	4000	8000
100	6	-1	-3	-2	-1	-1	-5	-11

Sound attenuation

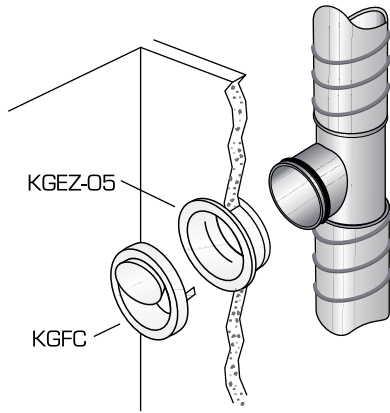
Installation on straight duct	Sound attenuation in dB at octave bands, mean frequency, Hz							Rw
	63	125	250	500	1000	2000	4000	
$x = 5 - 20$	22	19	18	12	11	9	8	10
$x = 25 - 50$	19	16	14	9	7	5	6	5

X=cone position, mm

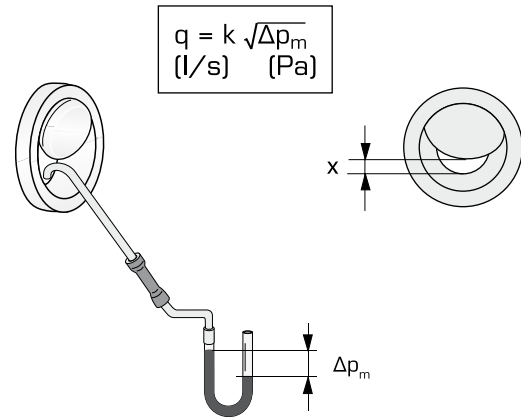


### Installation

Exhaust valve connected to a mounting ring



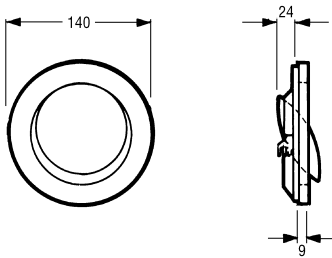
### Adjustment



x (mm)	5	10	15	20	25	30	40	50
k- factor	0.25	0.49	0.78	1.1	1.3	1.6	2.3	2.9

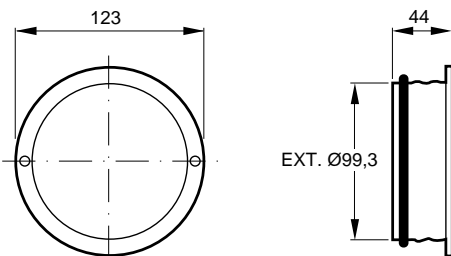
## Dimensions and weights

### Exhaust valve KGFC-100



Weight: 0,15 kg

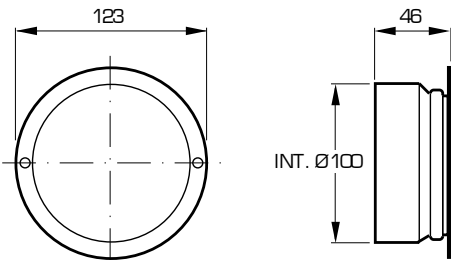
### Mounting ring KGEZ-01-100, fit-in connection



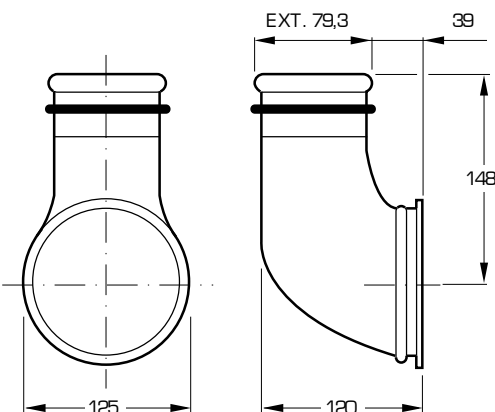
Weight: 0,1 kg

Size of opening:  $\varnothing 110 \pm 5$

### Mounting ring KGEZ-05-100, fit-on connection



### Angle duct KGEZ-43-100-080



## General

### Application and function

The exhaust valve KGFC is suitable for use in all types of ventilation systems.

The valve can be mounted with or without mounting ring. It is ideal for renovation use, because it fits in most round frames and connections.

The valve can be ceiling or wall mounted, and the air flow rate is adjustable.

### Material and surface finish

The valve is made of hot galvanized steel.

The valve is powder coated for a high surface finish and good impact and scratch resistance.

Standard colour is white (RAL 9010). Other colours and CleanVent coating are available on special order.

### Instructions

Instructions for installation, adjustment and maintenance are described in detail in our technical instructions also available on the internet at [www.flaktgroup.com](http://www.flaktgroup.com).

### Technical data

For complete dimensioning details, please see FläktGroup product selection program. Contact our nearest sales office for further information.

### Descriptive text

Exhaust valve KGFC with mounting ring or angle duct. Manufactured by FläktGroup.

**Product code**

Exhaust valve  
 Exhaust valve, CleanVent  
 Exhaust valve, special colour  
 Size (aaa)  
 100  
 CleanVent coating (C)  
 Special colour (E)

KGFC-aaa  
 KGFC-aaa-C  
 KGFC-aaa-E

**Accessories and spare parts**

**Accessories**

Mounting ring – fit-in KGEZ-01-aaa  
 Mounting ring – fit-on KGEZ-05-aaa  
 Size (aaa)  
 100

Angle duct KGEZ-43-aaa-bbb  
 Size (aaa-bbb)  
 Connection dimension in mm to valve - to duct:  
 100-080

**Spare parts**

Seal COGZ-aaa-7  
 Size (aaa)  
 100